

Foster Laser

FST-1390

LASER CUTTING MACHINE

✓ Cost effective

✓ High performance

✓ Saving freight



TWO-PART SPLIT MACHINE

Save space, save freight, through the narrow door



RUIDA CONTROLLER SYSTEM

Offline use, Easy to operate

FAMOUS LASER TUBE

EFR, RECI, CDWG, YONGLI, JOY (optional)

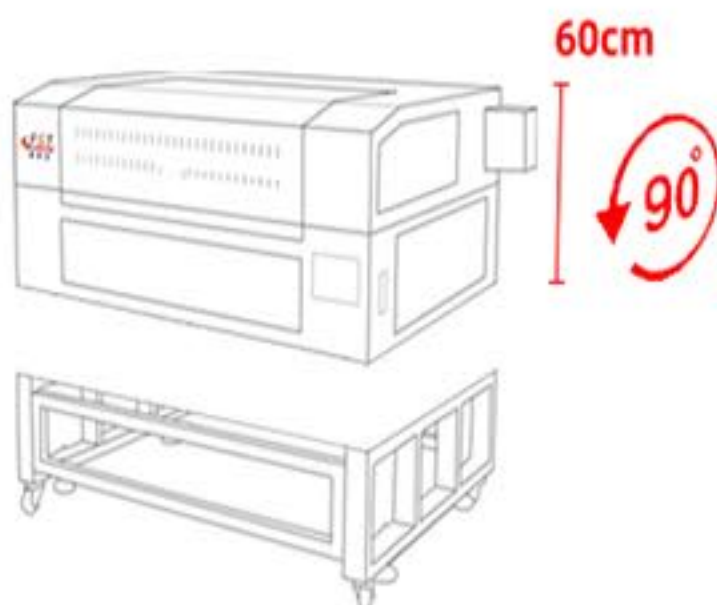


HIGH COST PERFORMANCE

The same price, the best performance and quality

THREE LINES LINEAR GUIDE

High accuracy, High speed



Very convenient through the narrow door

My door is too narrow(only 80CM wide), how to move the laser cutter into my house? You can try this model laser cutter!



Greatly reduce transportation costs

The minimum packing size may be 2.8CBM (200,160,88cm). Can reduce a lot of unnecessary expenses.

PRODUCT DETAILS

Laser cutting machine

Model	FST-1390
Worktable	Honeycomb or blade
Engraving area	1300*900mm
Laser Power	60W/80W/100W/150w/300w
Engraving Speed	500mm/s Max
Engraving Depth	5mm
Cutting Speed	60mm/s
Cutting Depth (Acrylic)	0-15mm (acrylic)
Up and down work table	Ec Up and down 300mm adjustable
Minimum Shaping Character	1 X 1mm
Resolution Ratio	0.0254mm (1000dpi)
Power Supply	220V(or110V)+/-10% 50Hz
Resetting Positioning	Accuracy less than or equal to 0.01mm
Water protecting sensor and alarm	Yes
Operating Temperature	0-45°C
Operating Humidity	35-70°C
Graphic Format Supported	PLT/DXF/BMP/JPG/GIF/PGN/TIF
Operation System	Windows xp/7/10/Vista
Software	Moshi/Laserdraw
Engraving on Curve Surfaces(Yes/No)	No
Control Configuration	DSP
Water Cooling(Yes/No)	Yes
Maximum Height Of Materials To Engrave(mm)	120mm
Laser Tube	Sealed CO2 glass laser tube

FEATURE

Laser cutting machine

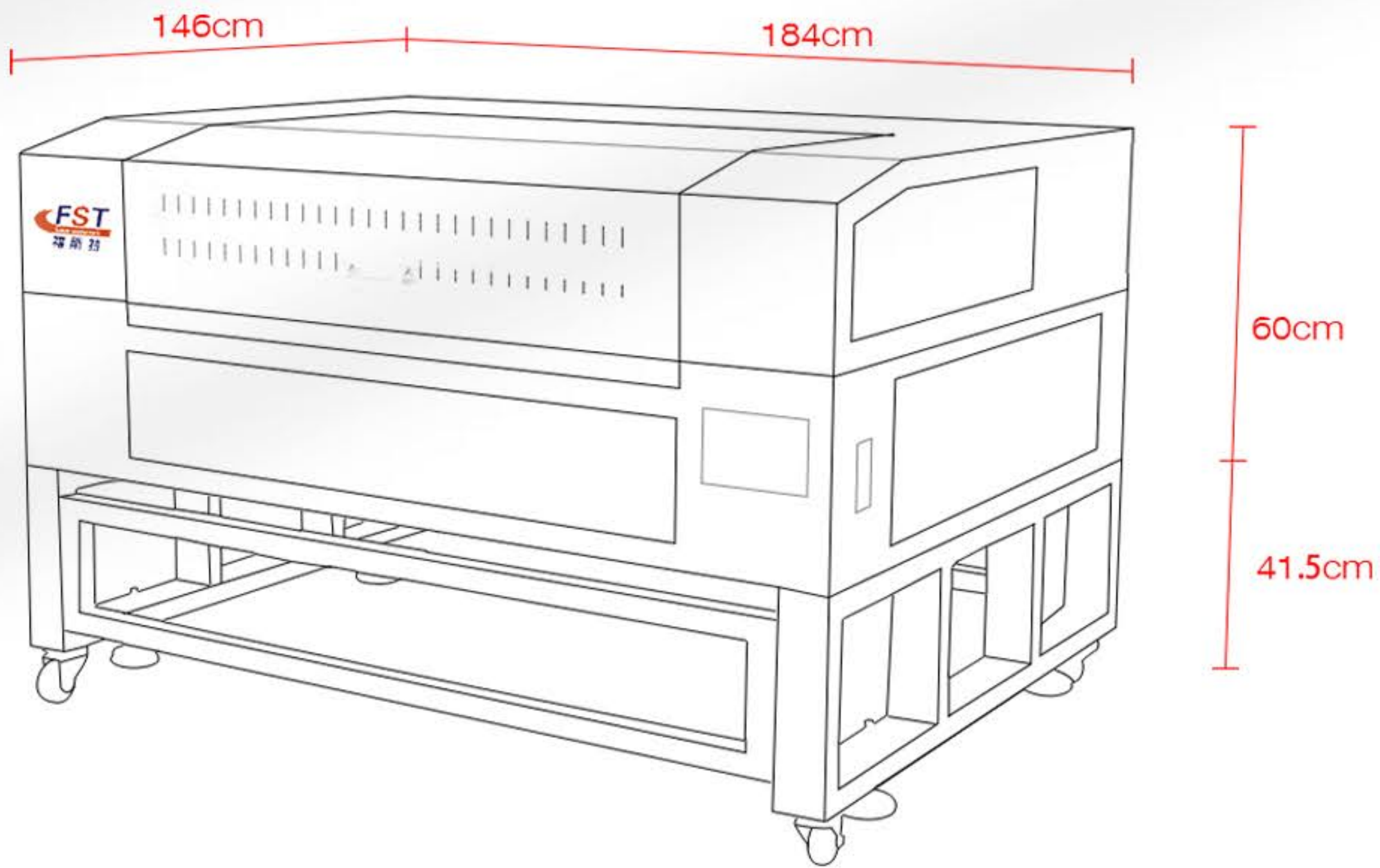
Foster laser CO2 Laser Engraving Cutting Machine with different working area, laser power or working table, which application is engraving and cutting on acrylic, wood, fabric, cloth, leather, rubber plate, PVC, paper and other kinds of non metal materials. 1390 laser cutting machine are widely used in clothing, shoes, luggage, computer embroidery clipping, model, electronic appliances, toys, furniture, advertising decoration, packaging and printing, paper products, handicrafts. Household appliances, laser processing and other industries.



- 1 Aluminum knife or honeycomb table. Two kinds of tables are available for different material.
- 2 CO2 Glass sealed laser tube China famous brand (EFR, Reci), good beam mode stability, long service time.
- 3 Imported lens and mirrors. High transmittance, good focusing, reflection effect.
- 4 Ruida Controller system, support online/offline working, English language system, adjustable cutting speed and power.
- 5 High accuracy stepper motors and drivers. Belt transmission.
- 6 Tiwan Hiwin Linear square guide rails, higher precision.
- 7 Open style, the front and back of the machine is open which is possible for longer material, breakthrough the limit of the workpiece length.
- 8 Rotate cutting available.
- 9 TWO-part split machine, Save space, save freight, through the narrow door.

DETAIL DISPLAY

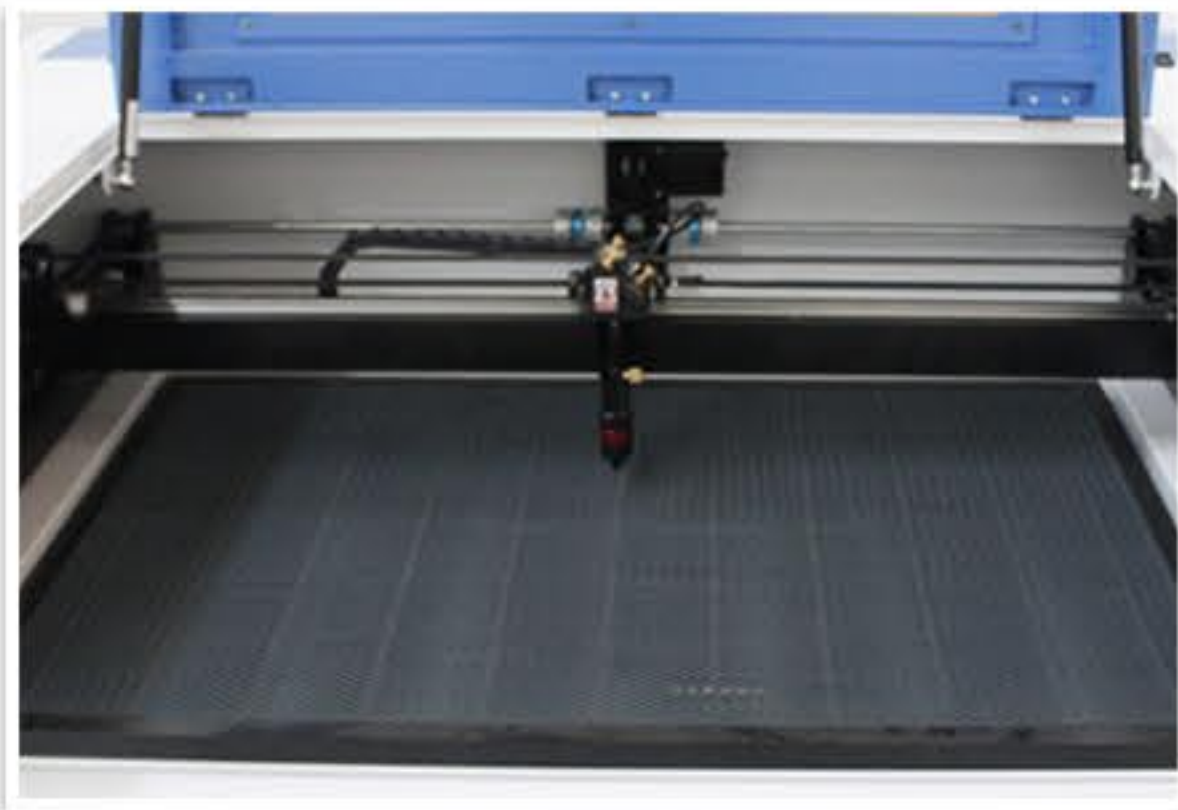
Laser cutting machine



WORK AREA

1300x900mm

* You can choose one or two. It depends on the needs of the customer.



Honeycomb worktable*



Aluminum knife*

INDUSTRIAL LASER HEAD

High precision retractable laser head, easy to adjust focal length, equipped with red light positioning system, accurate positioning, reduce material loss. Auto-blowing to protect laser head and prevent the laser burning.



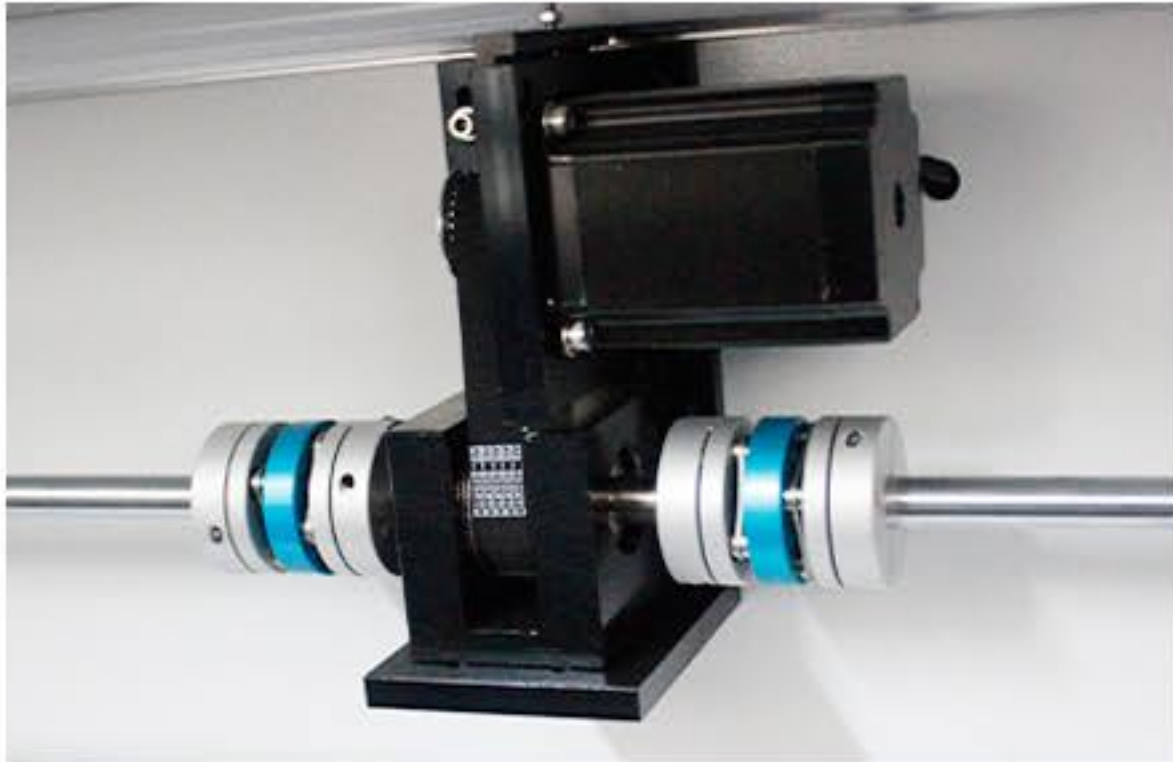
Autofocus (optional)



Laser is invisible, Red laser beam to determine the cut-off point

LASER TUBE

Closed Co2 laser tube, long life, stable power. Installation of reinforcement settings, the laser tube is not easy to collide and cause damage when moving the machine. (EFR, RECI, CDWJ, YONGLI, JOY. [Optional](#))



BRAND STEPPER MOTOR

High operating accuracy, high temperature resistance, can bear the high temperature generated by high-speed operation, and low noise.



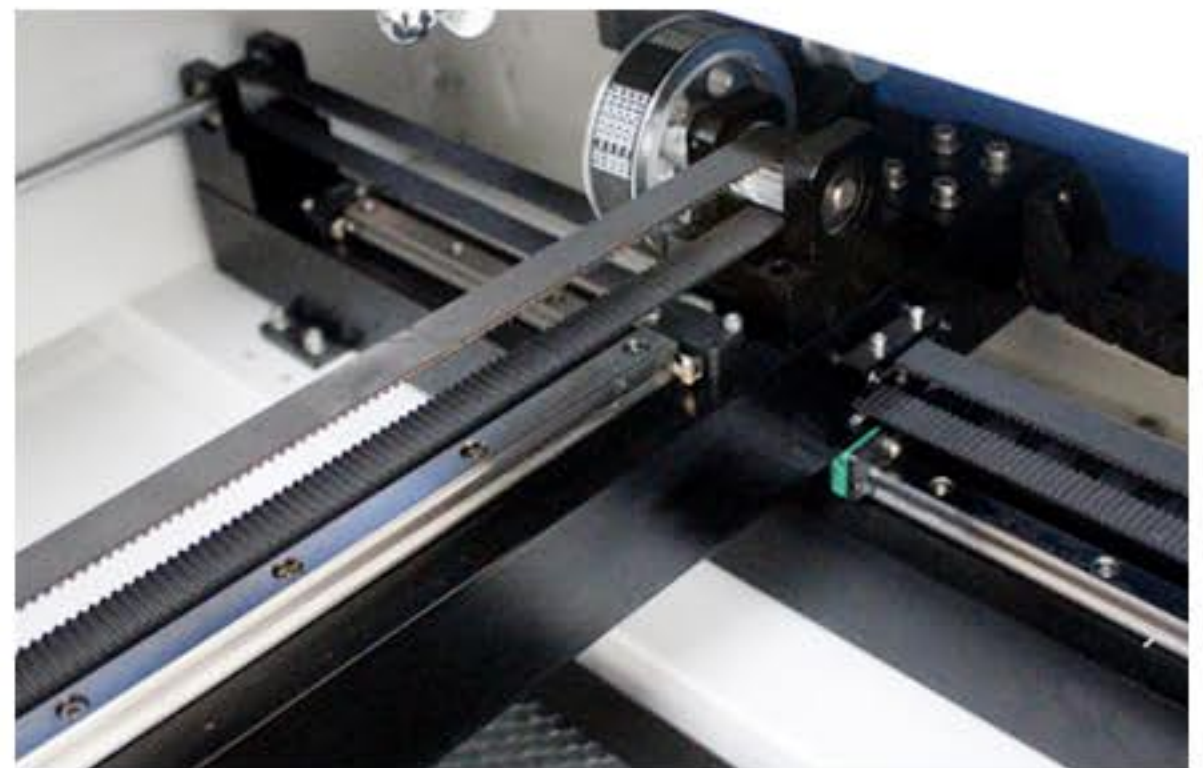
MOTOR-DRIVER

- 1) self adaptive circuit
- 2) necessary accessories of off-line working



USA II-VI LENS

Imported USA II-VI Lens, suitable for various environments, and has high precision and high speed.



FAMOUS BRAND BELT

The brand belt has wear resistance, good stability, compact structure and low noise.

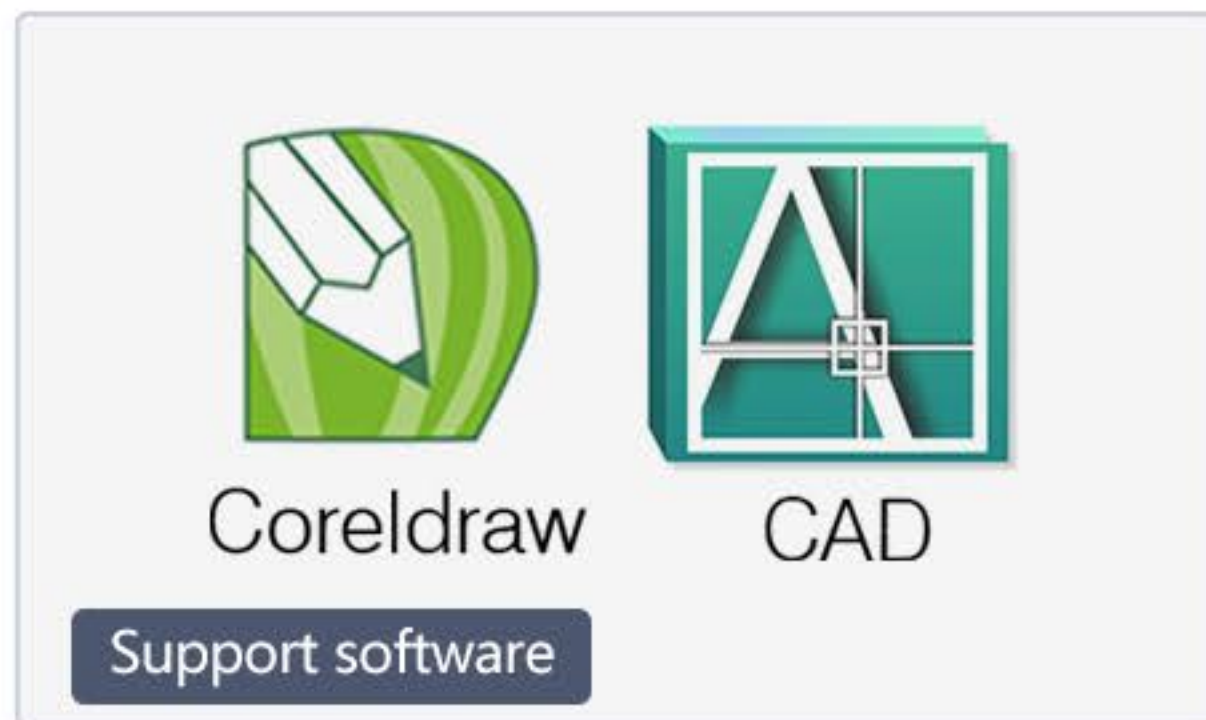
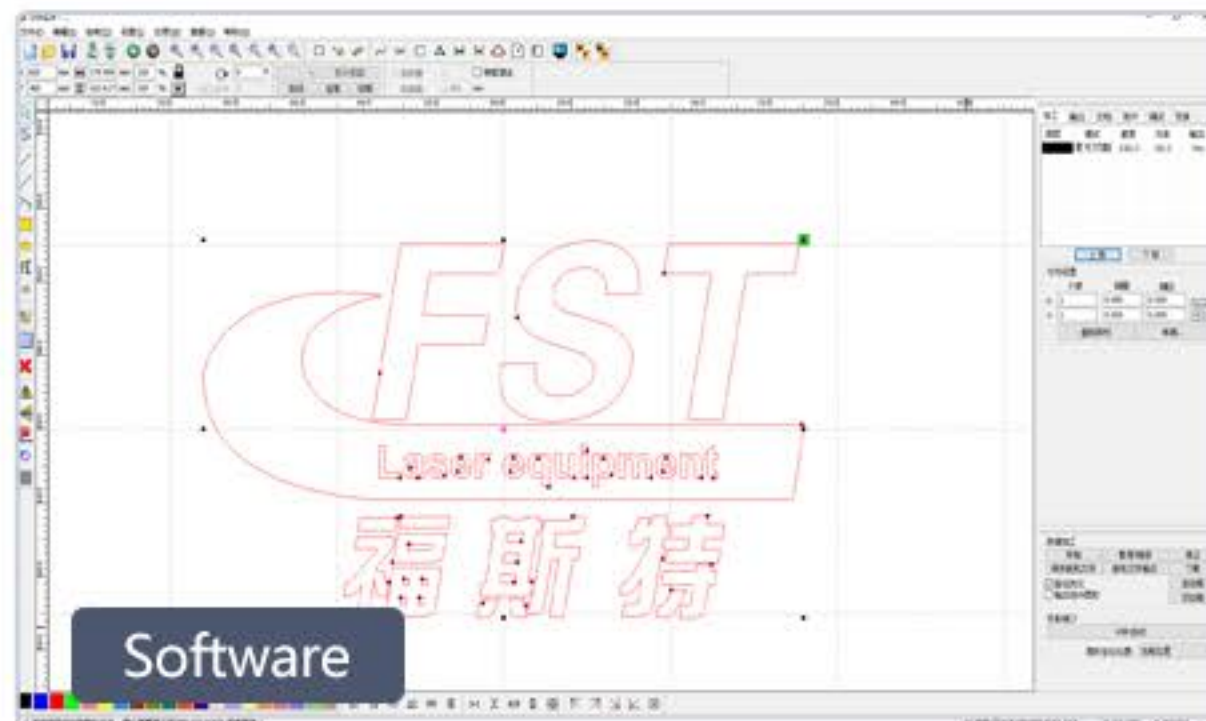


LEADING CHAIN

The current lead and breather pipe are included in it. Thicker, more stable. Keep the laser head from shaking.

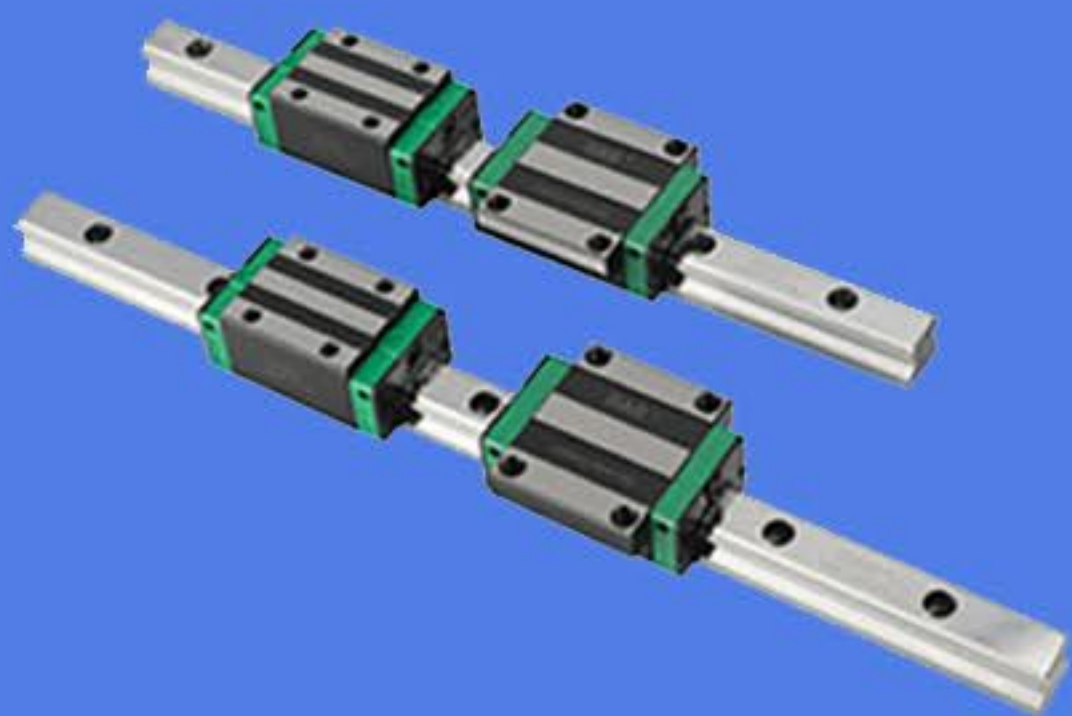
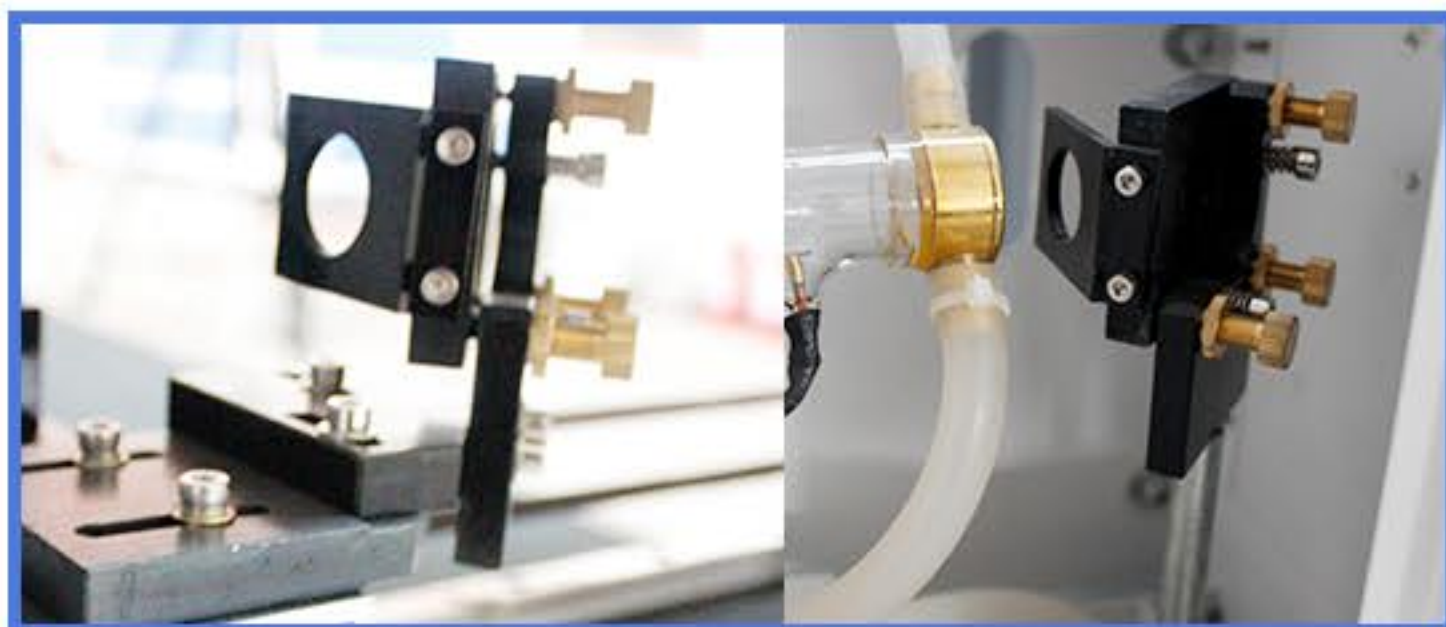
CONTROL PANEL

Ruida Controller system, support USB online/offline working, English language system, adjustable cutting speed and power.



REFLECTOR

45°mirror adjustment set.
Easy to adjust laser path.

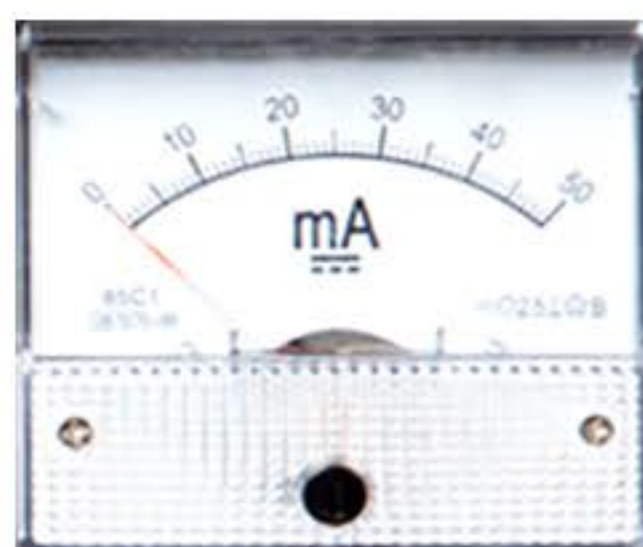


LINEAR GUIDE

XY axis apply imported square rails.
Ensures stable operation, high
precision and long life.

AMPEREMETER

The ammeter can detect whether the laser
tube current is normal. (Optional)





Coreldraw



CAD

SOFTWARE

Coreldraw and CAD control directly Advanced working software which can be embedded into Coreldraw and CAD, User can operate the machine buy Cor-edraw or CAD software directly.

WATER CHILLER

Best in china, it is for cooling the laser tube after water fill in the pipe when machine is working.



EXHAUST FAN

Removes smoke and dust caused during engraving and cutting

PLATFORM LIFTING

It allows you to process materials of various sizes, can be lifted in Z direction (up-and-down) to get more working space. (Optional)



Our certificate

Foster Laser Technology Co., Ltd.



PRODUCT ACCESSORIES

Laser cutting machine



S&A Water chiller



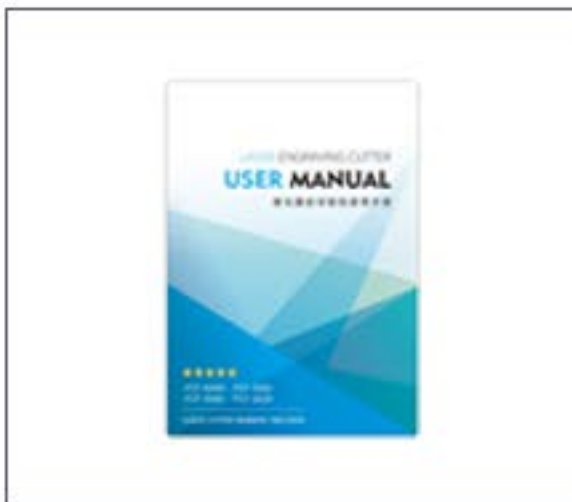
Exhaust fan



Air pump



Tool box



User manual



CD or U disk



Data Line + Power Cord



Focal length ruler

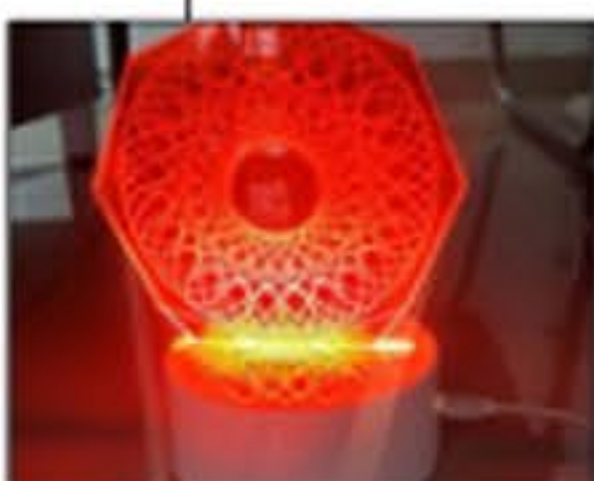
PRODUCT APPLICATION

Laser cutting machine

applicable materials:

Acrylic, leather, wood, rubber, double-color board, MDF, plywood, bamboo, paper, cardboard, marble, granite, stone, glass, fabric, textile, coated metal, painted metal, anodised aluminum etc.

ACRYLIC



GLASS



CERAMICS



FELT



IRREGULAR SHAPE



FOAM



STONE



LEATHER



PAPER



PLASTIC



SILICONE



TWO COLOR PLATES



WOOD



WOODCUT



applicable industries:

Arts and crafts, advertising, decoration, wood working, leather manufacturing, packaging, printing, mould making, furniture, clothing and brand making etc.



PACKAGING DELIVERY

Laser cutting machine



Machine cleaning and
Protective oil processing



Wrapping with
protective film



Wooden box sealing



Container Sealing
and Transportation



container loading



Forklift moving goods